

## Tubular handles

- **Aluminium tube** with epoxy base coating highly resistant to wear, scratches and chemical agents. Avoid continuous and prolonged contact with boiling water or steam. Standard colour metallflake graphite.
- Glass-fibre reinforced polyamide based (PA) technopolymer **handle shanks** supplied unassembled. Standard grey-black colour with matte finish. Resistant to solvents, oils, greases and other chemical agents.



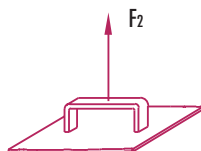
- Special **expansion-assembling system** between the tube and the handle shanks to prevent rotation during operation suggested tightening torque 1.5 [N\*m].
- Technopolymer **side caps** in one of the Ergostyle colours with bright finish, supplied unassembled. Removable by means of a screwdriver. Push-fit mounting.
- **Assembling by** means of a through hole into the lateral shank for cylindrical head screws with hexagon socket, hexagon head screws or stock nuts.
- Suggested tightening torque:
  - back mounting with plain bore 8 [N\*m].
  - front mounting with plain or threaded bore 1.5 [N\*m].
- **Maximum working temperature 100° C.**

When ordering please complete code and description of the element specifying the colour of the side caps (see the available colours above the table of dimensions).

Sample order:  
262211 - C4 ETH.35-300 - C4  
Tubular handle with yellow side caps

The large diameter (35mm) of the tube offers a comfortable and secure grip; the assembling system of the lateral shanks to the tube has been developed to prevent it from rotating when opening or closing the door.

Tensile stress: values (F<sub>2</sub>) indicated in the table have been obtained during breaking tests carried out using appropriate dynamometric equipment under the test conditions shown in the figure.

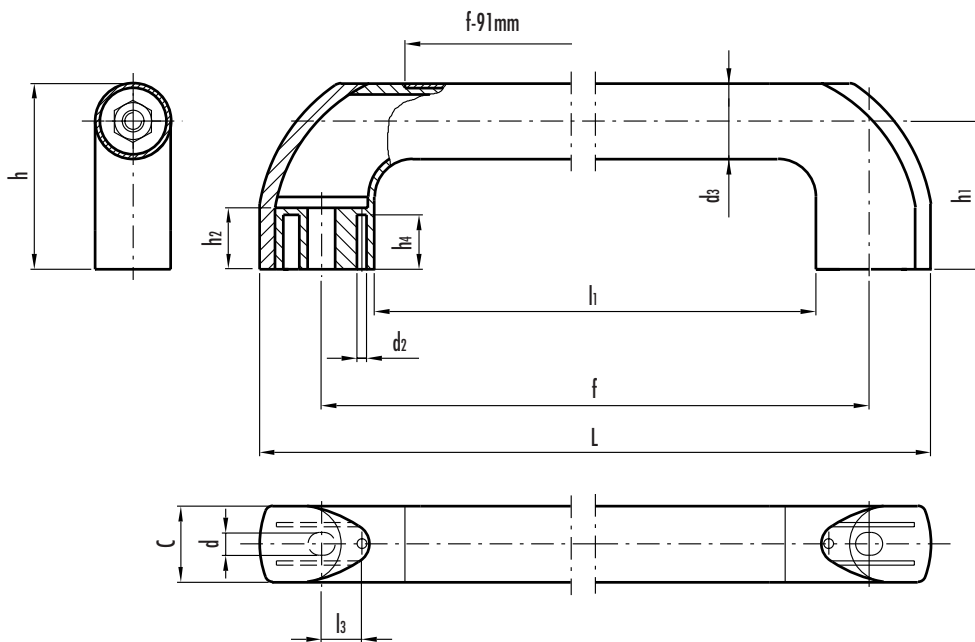


The side caps are also available as accessories, sold in one of the Ergostyle colours. When ordering the side cap please complete code (29872) and basic description (ECA.T) with the indexes of the dimension and colour.

Sample order for side caps:  
 2987 2 - C4 ECA.T2 - C4 = Yellow side cap with ETH.35 handle

2 = ETH.35

C1 = GREY-BLACK  
 C2 = ORANGE  
 C3 = GREY  
 C4 = YELLOW  
 C5 = LIGHT BLUE  
 C6 = RED



C 1: RAL 7021   C 2: RAL 2004   C 3: RAL 7035   C 4: RAL 1021   C 5: RAL 5024   C 6: RAL 3000

R = Load at breakage (permanent deformation)  
 E = Max working load.

Standard elements		Main dimensions										Mounting hole		F2 [N]		Weight
Code ▲	Description ▲	L	f	h	C	l1	l3	h1	h4	d2	d3	d	h2	E	R	grams
262211 -	ETH.35 -300 -	357	300±1	85.5	35	251	18.5	67	15	4	35	10.5	28	2650	7800	397
262221 -	ETH.35 -500 -	557	500±1	85.5	35	451	18.5	67	15	4	35	10.5	28	2200	4800	515
262231 -	ETH.35 -700 -	757	700±1	85.5	35	651	18.5	67	15	4	35	10.5	28	1700	3000	633
262246 -	ETH.35 -1000 -	1057	1000±1	85.5	35	951	18.5	67	15	4	35	10.5	28	1300	2600	810

▲ Complete the code and the description of the standard item needed specifying the index of the colour of the side caps.