



## Flush pull handles (screws and cover with flap)

### • Material

Glass-fibre reinforced polyamide based (PA) technopolymer. Resistant to solvents, oils, greases and other chemical agents.

### • Standard colour

Grey-black with matte finish.

### • Screw cover ECO.R2 \*

Technopolymer cover in one of six Ergostyle colours with glossy finish removable by screw-driver by playing upon the central part (see drawing).

### • Flap

Grey-black technopolymer flap, with stainless steel return spring.

### • Mounting

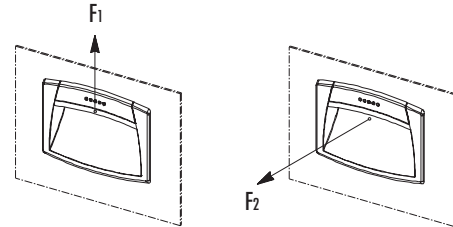
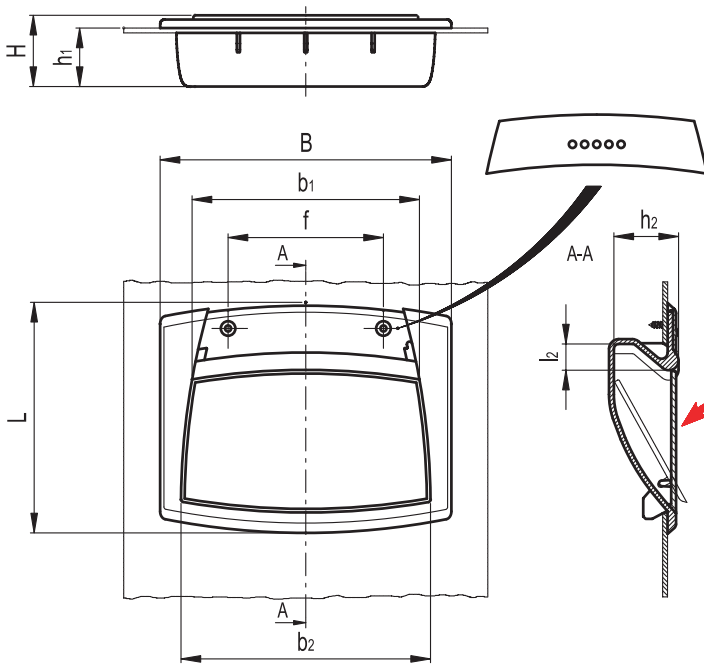
By means of two AISI 304 stainless steel self-tapping screws UNI 6955 Ø 2.9 x 9.5 mm. See assembly instructions on page 44.

### Ergonomy and design

The special compact shape and the rounded lines offer a modern design and the coloured cover represents a visual signal which invites the operator's hand. The ergonomic shape of the cavity guarantees a secure grip without any risk of traps for the operator's fingers. The flap is a unique optional feature for closing completely the recess.

### Technical data

The resistance values lifting (F1) and pull out (F2), reported in the table, are the results of the tests carried out in our laboratories with handles assembled on panels with thickness = 1.5 mm. The values can be affected by the resistance of the panel itself.



### Order information

When ordering please complete the code and the description of the element needed specifying the colour of the cover (see the available colours shown above the dimensions table).

Order example:

261131 - C4 EPR.120/F-SH - C4 Handle with yellow cover

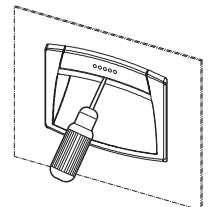
\*The covers are also available as accessories sold in one of the Ergostyle colors. When ordering the cover, please complete its code (29852) and basic description (ECO.R2) with the indexes of the dimension and color.

Order example for covers:

29852 - C4 ECO.R2 - C4 = yellow cover for handle EPR.120

2 = EPR.120

C1 = GRAY-BLACK  
C2 = ORANGE  
C3 = GRAY  
C4 = YELLOW  
C5 = LIGHT-BLUE  
C6 = RED



C 1: RAL 7021	C 2: RAL 2004	C 3: RAL 7035
C 4: RAL 1021	C 5: RAL 5024	C 6: RAL 3000

Standard elements		Main dimensions									F1	F2	Weight
Code ▲	Description ▲	B	L	H	f	h1	h2	b1	b2	l2	[N]		grams
261131 -	EPR.120/F-SH -	120	95	28.5	64	24	26.5	94	103	11	1200	400	70

▲ Complete the code and the description of the standard item needed specifying the index of the colour of the cover.